

Standard terminal blocks

Compression clamp

DIN 1 - 3



Test connector : See Accessories section

End stop	th. 9,1 mm	BAM	0103 002.26
End stop	th. 9,1 mm	BAM	0103 002.26
Rail	35 x 7,5 x 1	PR30 prepunched	0173 220.05
Rail	35 x 15 x 2,3	PR4	0168 500.12
Rail	35 x 15 x 1,5	PR5 prepunched	0101 598.26
Rail	32 x 15 x 1,5	PR1Z2	0163 050.04

Other end stops and rails : See Accessories section

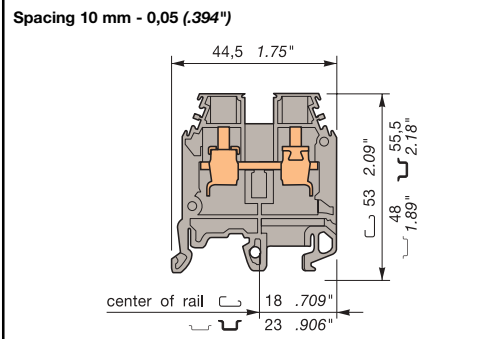
Characteristics

Wire size				
		IEC	UL	CSA
		NFC	DIN	
Compression clamp	Solid wire	0,5-16 mm ²	22-6 AWG	22-6 AWG
	Stranded	0,5-10 mm ²	22-6 AWG	22-6 AWG
Voltage				
Rated		800 V	600 V	600 V
Pulse		8 kV		
Pollution degree		3		
Current				
Rated		57 A	65 A	70 A
Wire size				
Rated / Gauge		10 mm ² / B6	6 AWG	6 AWG
Wire stripping length	Recomm. Screwdriver	Recomm. torque	Protection	
12 mm	5,5-6 mm	1,2-1,4 Nm	IP 20	
.47"	.217" - .238"	10.6-12.3 lb.in.	NEMA 1	

Notes

The use of some accessories may decrease the block's voltage rating. For more information, consult us.

M 10/10...



Standard 10 mm block **0115 120.17**



Accessories

Image	Description	Color	Type	Part numbers
1	End section	grey, blue, orange, yellow, green, white, beige, blue, yellow	FEM6	th. 2,8 mm
2	End section	grey	FEM61 (3)	th. 3,0 mm
3	End section	grey	FEM6C (3)	th. 3,0 mm
4	Circuit separator	grey, blue, orange, yellow, beige	SCM6, SCM6 V0	th. 3,0 mm
5	Separator end section	grey, blue, beige	SCF6, SCF6 V0	th. 3,0 mm
6	Separator end section	grey	SCF61	th. 3,0 mm
7	Separator end section	grey	SCFM6 (3)	th. 3,0 mm
8	Separator end section	grey	SCFEX1 (3)	th. 2,4 mm
9	Separator end section	grey	SCFEX3 (3)	th. 2,4 mm
10	Separator end section (for cover CPV)	grey, beige	SCFCV1-2, SCFCV1-2 V0	th. 3,0 mm
11	Protective cover		CPM (for FEM6C, SCF6(V0) and SCFM6)	0187 312.14
12	Protective cover		CPV1-2 (for SCFCV1-2...)	0176 816.12
13	Test socket		AL2 (1), AL3 (1), AL4 (1), FC2, FC4	DIA. 2 mm, 3 mm, 4 mm, 2 mm, 4 mm
14	Test plug			
15	Assembled jumper bar (without IP20 protection)	57 A	BJM10 (1)	2 poles, 0173 611.21
		57 A	BJM10 (1)	3 poles, 0173 612.22
		57 A	BJM10 (1)	4 poles, 0173 613.23
		57 A	BJM10 (1)	5 poles, 0173 614.24
		57 A	BJM10 (1)	10 poles, 0173 615.25
16	Assembled jumper bar (with IP20 protection)	57 A	BJMI10 (1)	2 poles, 0176 675.04
		57 A	BJMI10 (1)	3 poles, 0176 676.05
		57 A	BJMI10 (1)	4 poles, 0176 677.06
		57 A	BJMI10 (1)	5 poles, 0176 678.17
		57 A	BJMI10 (1)	10 poles, 0176 679.10
17	Jumper bar not assembled	57 A	BJS10 (1)	20 poles, 0177 654.00
	Post + screw + washer		EV6	0168 604.16
18	Pivoting jumper bar	70 A	BJP10	0174 451.22
19	Universal jumper bar	50 A	BJDP1 (1)(2)	spacing 10 <> spacing 16, 0179 623.03
		70 A	BJDP3 (1)(2)	spacing 10 <> spacing 12, 0179 625.05
20	Comb type jumper bar	70 A	PC10	10 poles, 0163 315.26
21	Protection label		EP8, EP10, VSP6	3 blocks, 0163 428.20
	Screw for protection label		EPU6	4 blocks, 0163 429.21
22	Protection label			0163 433.15
23	IDC jumper	24 A	AD2,5	0107 038.25

Color	Type	Part numbers
<i>Standard blocks</i>		
Grey	M 10/10	0115 120.17
Blue	M 10/10.N	0125 120.11
Yellow	M 10/10	0105 120.26
Beige V0	M 10/10.V0	0195 120.10
Blue V0	M 10/10.N.V0	0199 004.20

R See section on marking method (11) (12) (17) (26)
 Note : (1) A circuit separator **SC** may be required with the use of these accessories.
 (2) See column : "Various applications".
 (3) End sections and circuit separators snapped on rails.